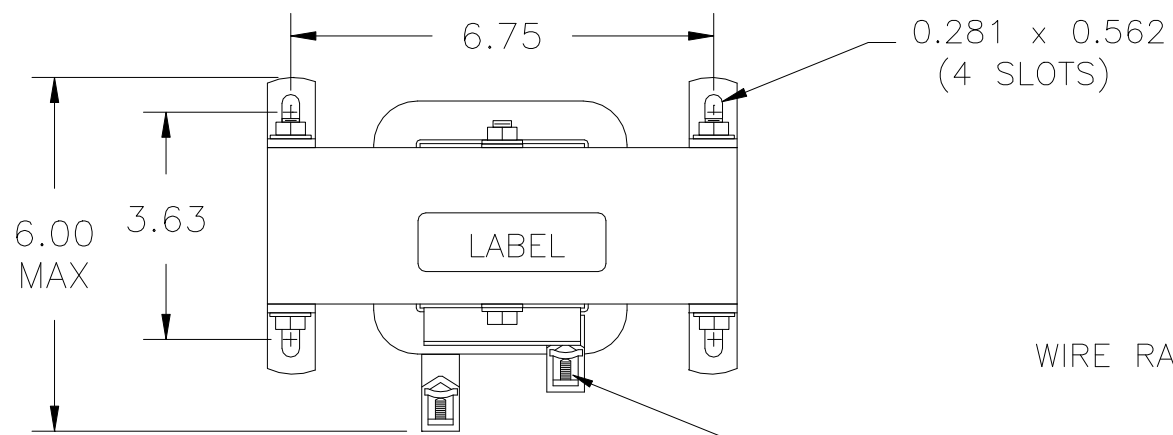


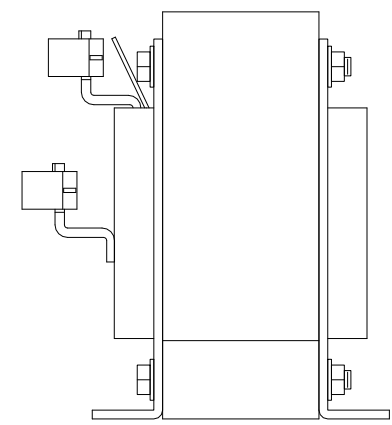
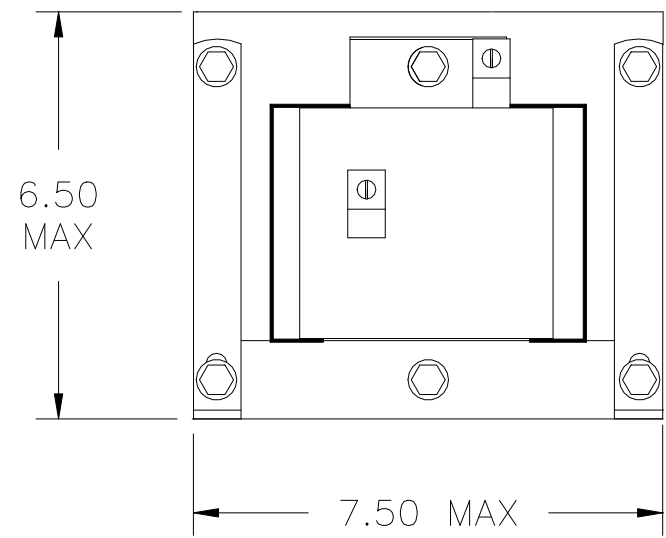
INDUCTANCE	LOSSES	WEIGHT
1.5 mH	40 Watts	32 Lbs

NO.	CHANGE DESCRIPTION	BY	DATE	C'K'D
05	REVISED PER ECR 7175, ADDED CD	RS	8/23/10	



WIRE RANGE: 6-0 AWG

CAUTION-TERMINAL SCREW TIGHTENING TORQUE:
 6-4 (45) in-lb MAX.
 2-0 (50) in-lb MAX.



UNLESS OTHERWISE SPECIFIED, DIMENSIONS ARE IN INCHES [mm] AND TOLERANCES ARE:

DECI. FRAC.

 ANGLES DRILLED HOLES

PART NAME:	DC LINK CHOKE
DESCRIPTION:	OUTLINE DIMENSION
FINISH:	

MTE CORPORATION MEMONONEE FALLS, WISCONSIN			
CD 62RB005			REV. 05
SCALE	NTS	DATE 03/11/96	C'K'D
REF.	DR. BY	CEL	APP'D

FILE: